

INSTALLATION INSTRUCTIONS FOR MOUNTING MDAS WITH MOUNTING BRACKET ON SIDE FRAME WITH NO REAR FLANGE (SA-2513-P/SA-2513-U) OR RECESSED SIDE FRAME (SA-2512)

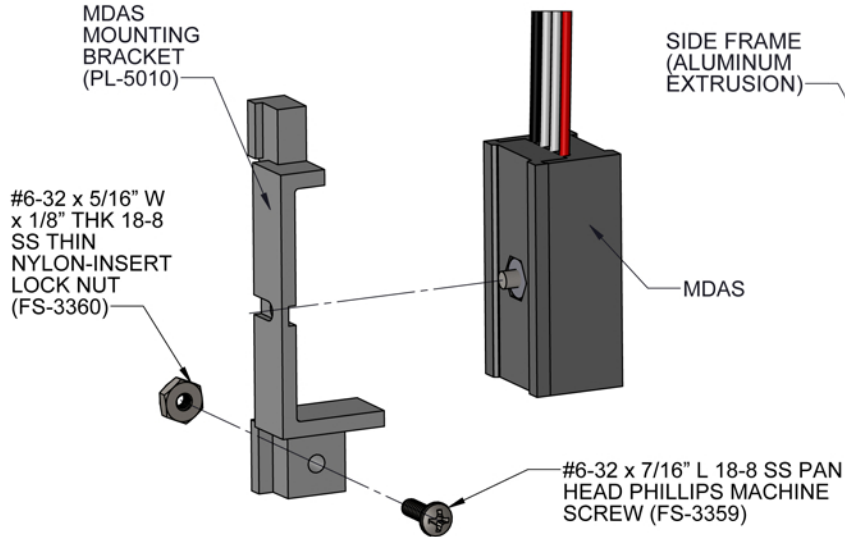


Fig. 1

STEP-1: Place MDAS into Mounting Bracket as shown in Fig. 2. Insert Hex Nylon Lock Nut in hex slot and tighten the Phillips Head machine screw until it is flush and flat to the front face of hex slot.

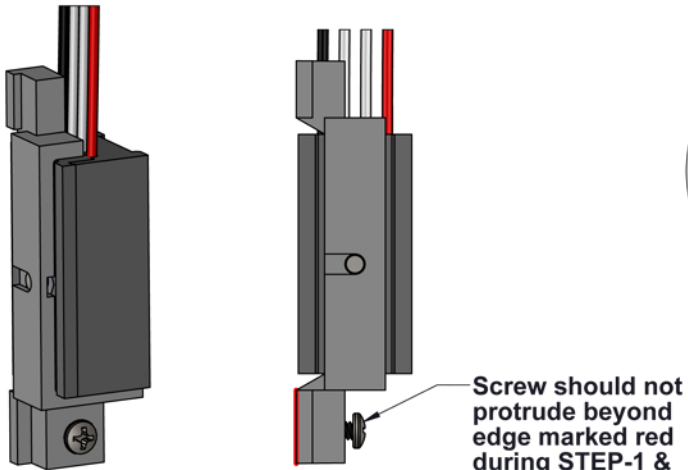


Fig. 2

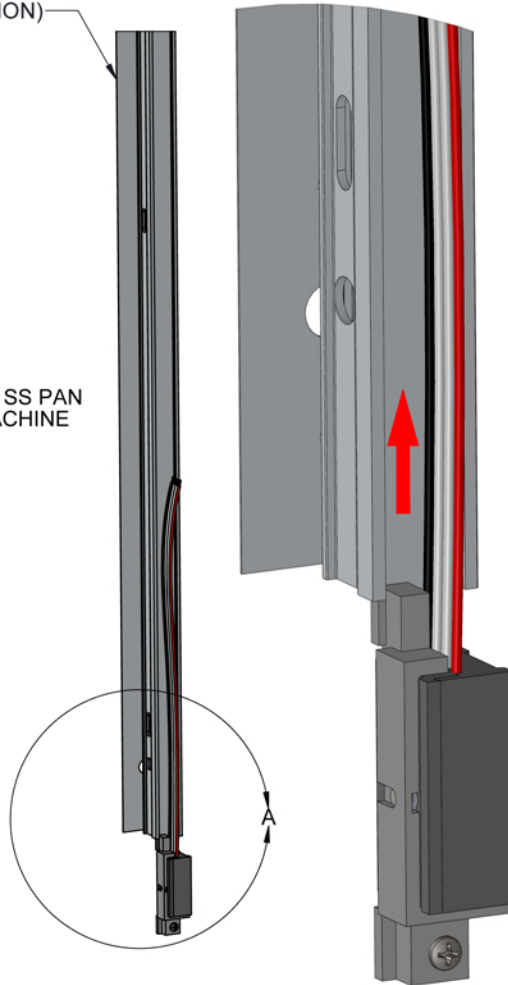


Fig. 3

STEP-2: Slide assembled MDAS and Mounting Bracket from the bottom into side frame as shown in Fig. 3.

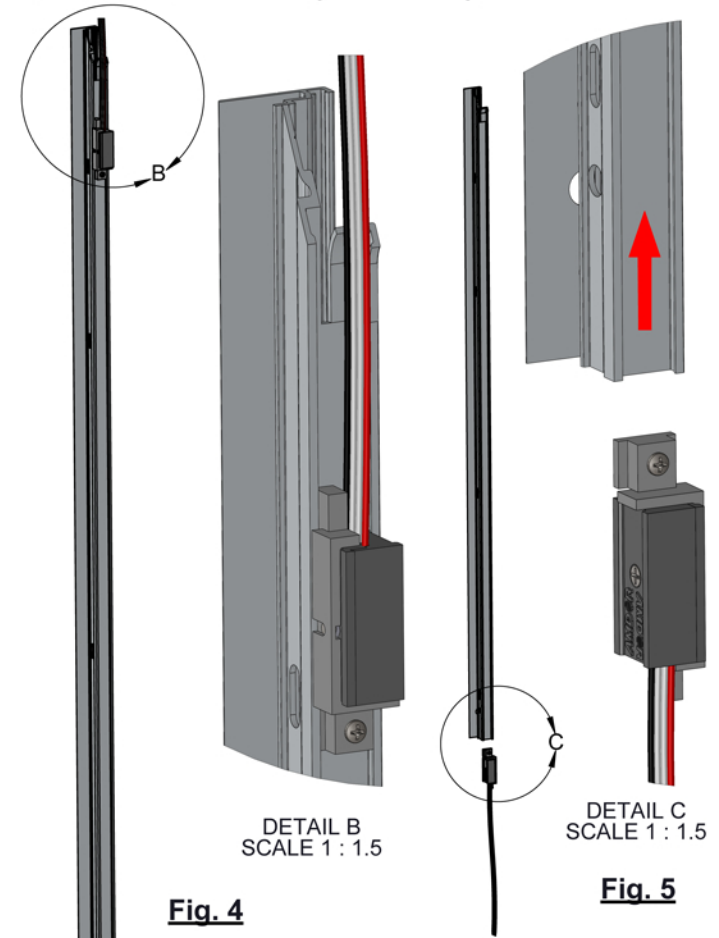


Fig. 4

STEP-3: Position MDAS at the desired location and then tighten the screw until the bracket is secured.

Fig. 5

NOTE: MDAS with wires down position can also be mounted on side frame using this same bracket. This configuration can be achieved by inverting bracket and MDAS and inserting into Side Frame from the bottom as shown in Fig. 5.